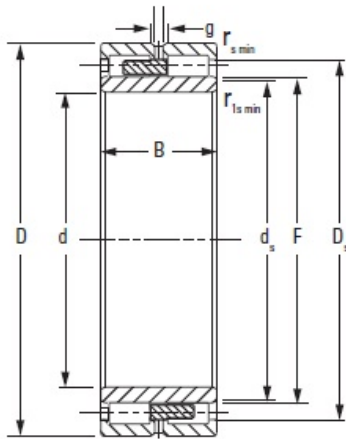




Hebei Xiantong Bearing Co., Ltd.



NNU4168MAW33 Timken Cylindrical Roller Bearing

Bearing No. NNU4168MAW33

Bore d	340.000 mm
O.D. D	580.000 mm
Width B	243.000 mm
DUR/DOR F/E	402.000 mm
Static Load Rating C_0	7580 kN
Dynamic Load Rating C_1^1	4660 kN
Geometry Factor C_g^2	0.2580
Thermal Speed Ratings - Oil	530 rpm
Thermal Speed Ratings - Grease	490 rpm
Weight	573.000 lb
Chamfer r_{smin}	5.00 mm
Chamfer r_{1smin}^3	5.0 mm
Backing Shaft Diameter d_s	391.0 mm
Backing Housing Diameter D_s	530.0 mm
Lubrication Groove g	19.3 mm
Lubrication Hole Diameter h	9.5 mm
Number of Lubrication Holes	10
Dimension S^4	9.60 mm

NNU4168MAW33 Bearing 2D drawings and 3D CAD models