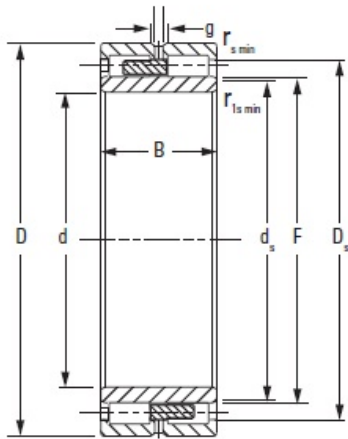




Hebei Xiantong Bearing Co., Ltd.



NNU4140MAW33 Timken Cylindrical Roller Bearing

Bearing No. NNU4140MAW33

Bore d	200 mm
O.D. D	340.000 mm
Width B	140.000 mm
DUR/DOR F/E	235.000 mm
Static Load Rating C_0	2460 kN
Dynamic Load Rating C_1^1	1690 kN
Geometry Factor C_g^2	0.1650
Thermal Speed Ratings - Oil	1200 rpm
Thermal Speed Ratings - Grease	1100 rpm
Weight	112.000 lb
Chamfer r_{smin}	3.00 mm
Chamfer r_{1smin}^3	3.0 mm
Backing Shaft Diameter d_s	229.0 mm
Backing Housing Diameter D_s	315.0 mm
Lubrication Groove g	12.3 mm
Lubrication Hole Diameter h	6.0 mm
Number of Lubrication Holes	6
Dimension S^4	5.40 mm

NNU4140MAW33 Bearing 2D drawings and 3D CAD models