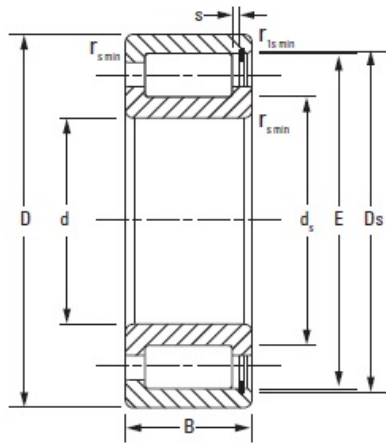




# Hebei Xiantong Bearing Co., Ltd.



## NCF18/750V Timken Cylindrical Roller Bearing

Bearing No. NCF18/750V

Bore d	750.000 mm
O.D. D	920.000 mm
Width B	78.000 mm
DUR/DOR F/E	878.000 mm
Static Load Rating $C_0$	4600 kN
Dynamic Load Rating $C_1^1$	2080 kN
Dimension $S^2$	8.00 mm
Geometry Factor $C_g^3$	0.3230
Thermal Speed Ratings - Oil	160 rpm
Thermal Speed Ratings - Grease	140 rpm
Weight	231.200 lb
Chamfer $r_{smin}$	5.00 mm
Chamfer $r_{1smin}^4$	5.0 mm
Backing Shaft Diameter $d_s$	788.0 mm
Backing Housing Diameter $D_s$	880.0 mm

NCF18/750V Bearing 2D drawings and 3D CAD models